

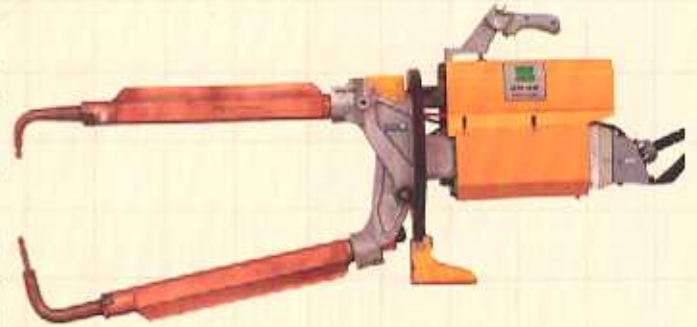
## Manual, Automatic and Robotic Spot Welding Guns

Novin Sazan spot welding guns are designed and made in models C, X, H & CX.

Optimized ergonomic design is used with considering the gravity center of system in both of C and X models.

Robotic and Automatic welding machines enjoy the luxury of simple and robust design concurrently and are easily functional in both automatic and semi-automatic systems. Exporting various Robotic welding machinery parts to European markets proves our capability and superior quality. Exploitation of sophisticated software and technical specifications Database that has been produced in this company is a prominent advantage of Novin Sazan which would make the designing of a new gun much easier. The time saving and the noticeable augment in design precision, are particularly, the reasons behind popularity of our systems.

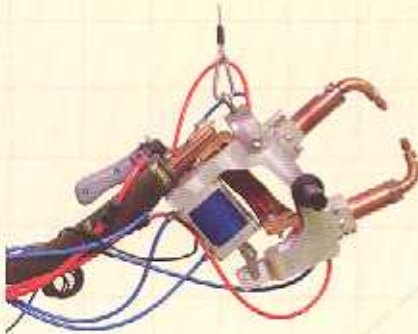
Manual Spot Welding Gun-Model X



Manual Spot Welding Gun-Model C



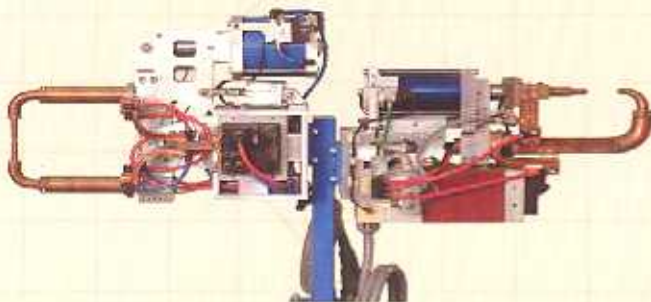
Cable Gun-Model X

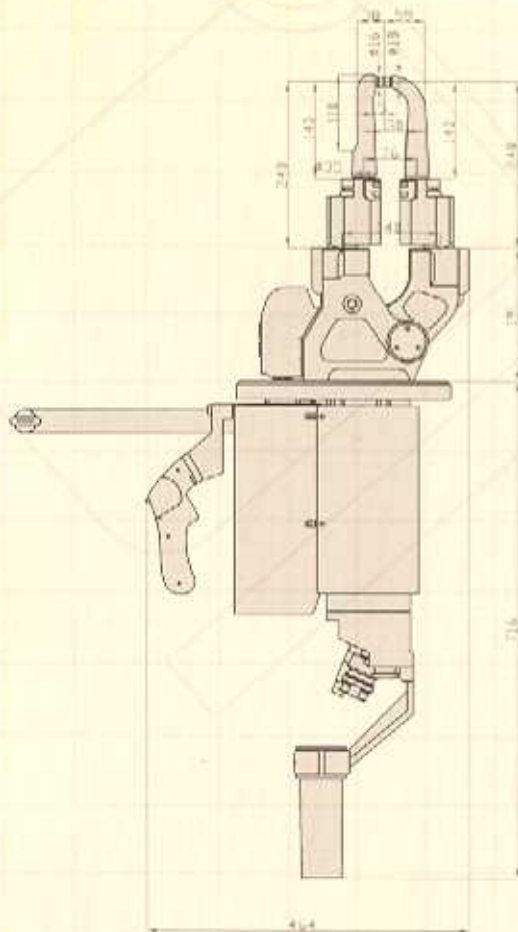
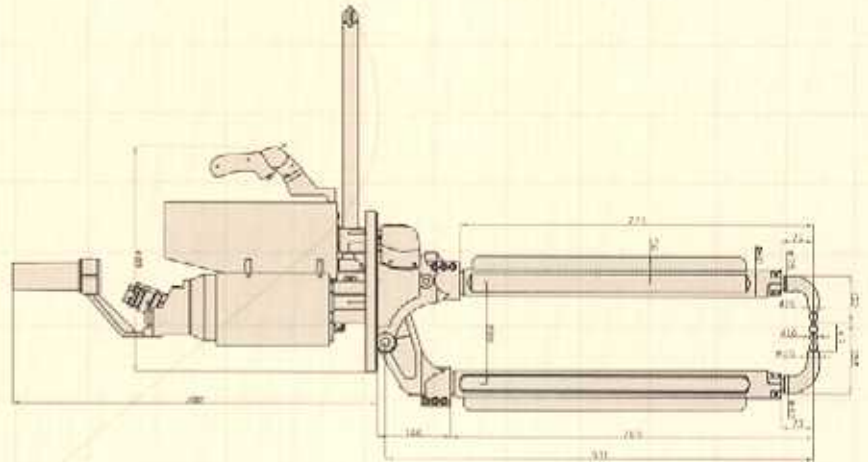


Manual Spot Welding Gun-Model CX

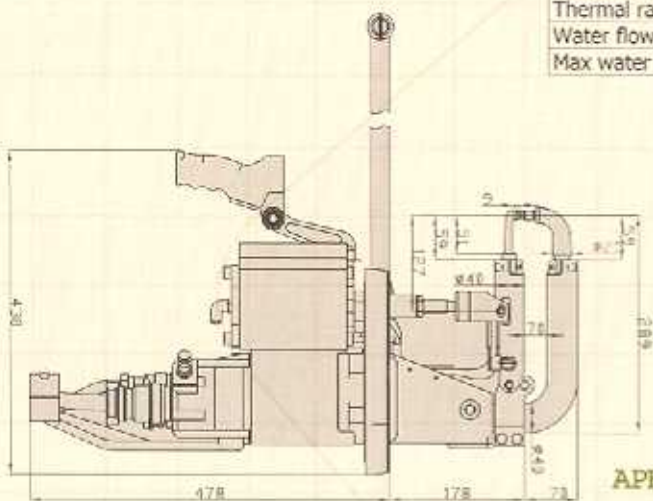
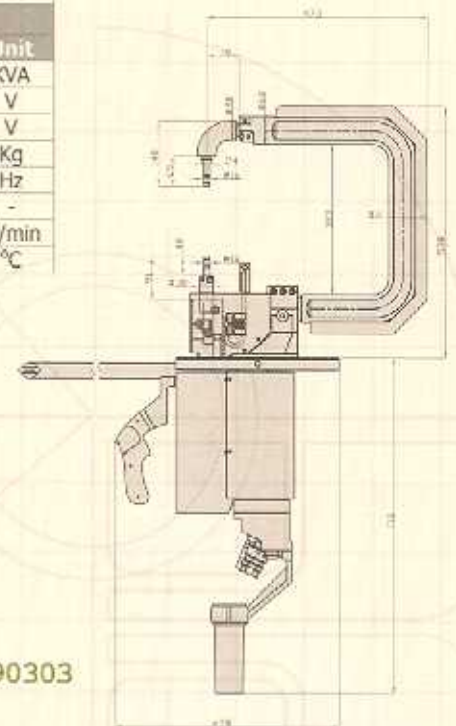


Robo-Gun




**APX 53203**

**APX 91302**

GUN SPEC.			
Parameter	Min.	Max.	Unit
Stroke			
Weld	15	40	mm
Retract	40	150	mm
Total	55	190	mm
Max. Allowed force	200	500	Kgf
Max. Allowed pressure	1.2	10	Bar
Weight	50	140	Kg
Short circuit current %98			
Small Guns	up to 20		KA
Large Guns	up to 17		KA
Water flow rate	4		lit/min
Max water temperature	30		°C
Water pressure difference	2		Bar
TRANSFORMER SPEC.			
Parameter	Min.	Max.	Unit
Rated capacity	15	70	KVA
Primary Voltage	400		V
Secondary Voltage	3.8	10.5	V
Weight	15	53	Kg
Frequency	50		Hz
Thermal rating	Class F		-
Water flow rate	4		lit/min
Max water temperature	30		°C


**APK 00401**

**APC 90303**